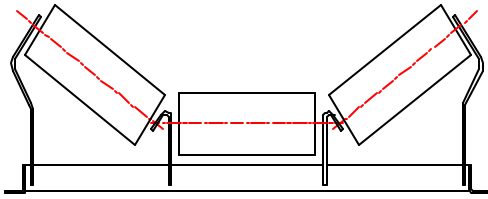
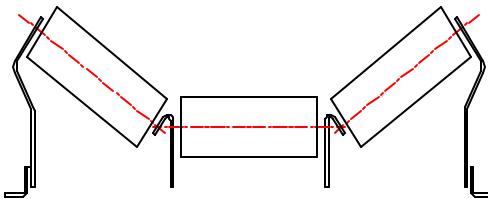
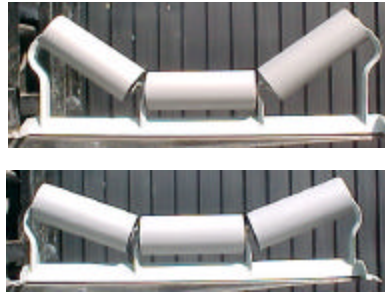


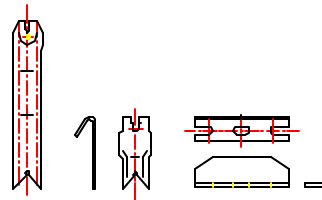
T2000 CEMA C Conveyor Idlers



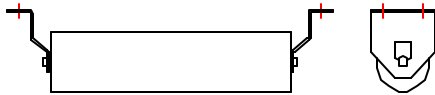
Assembled Idler Frame



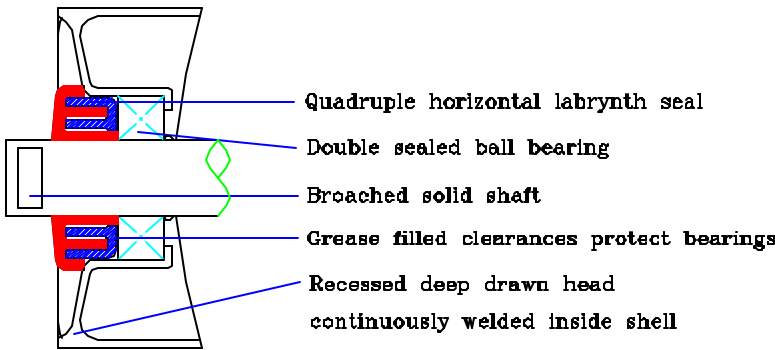
Idler Kit Components



End Supports, Center Supports & Frame Feet



Return Idler and Supports



FEATURES

- Polymeric coating on roll and frames provides superior corrosion protection
- "Sealed for Life" design
- Triple Labyrinth Seal
- Head welded inside shell
- Stamped center and end brackets
- Precision deep drawn head
- Roll Gap 3/8" max. on 5" diameter roll
- Can be ordered assembled or unassembled
- 20mm 6304 Ball Bearing with seals on both sides
- Meets CEMA C load ratings
- Meets CEMA C dimensional criteria
- Broached shaft to add frame stability
- Belt widths 24" through 42", (belt width + 9" mounting)
- 20° and 35° troughed belt idlers
- Return belt idlers

Idler Interchangeability	Series
FMC	C2000
Continental	----
Goodman (Jeffrey)	----
Hewitt-Robins	BC
Rexnord	B+
Stephens-Adamson	4400/4300
Precision	SB
Precismeca (Transall)	PC/C

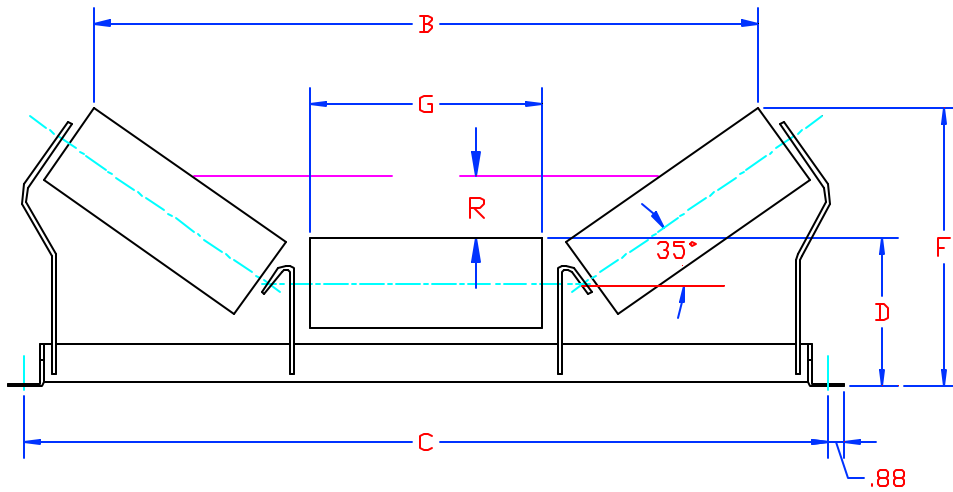
AGGREGATE EQUIPMENT SALES

3926 Irongate Rd Unit B, Bellingham WA 98226

Toll Free: 866-755-5650 Ph: 360-756-6544 Fx: 360-650-1686

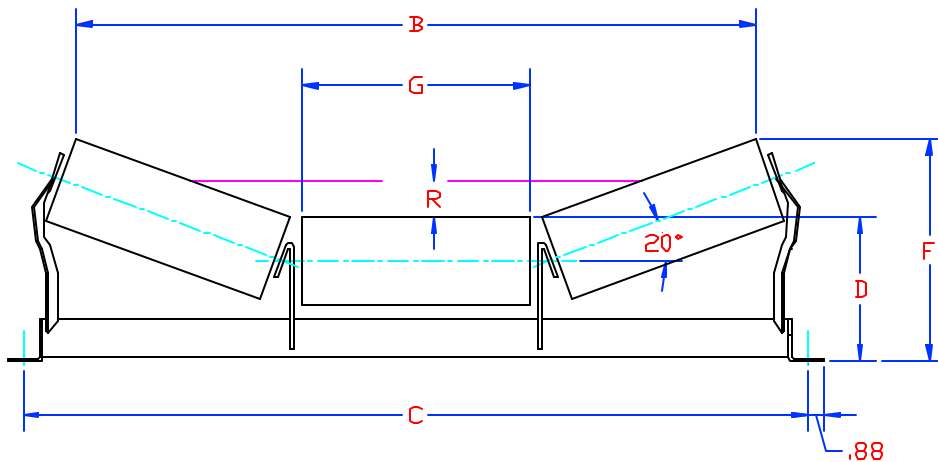
Website: www.aggequipment.com Email: info@aggequipment.com

T2000 CEMA C Conveyor Idlers



Belt width inches	Idler number	Idler weight, pounds	B	C	D	F	G	R**
			Inches					
24	C35-24	40	24.56	33.00	8.25	13.56	9.06	2.12
30	C35-30	49	29.81	39.00	8.50	14.94	11.06	2.69
36	C35-36	55	35.12	45.00	8.50	16.12	13.06	3.25
42	C35-42	62	41.25	51.00	8.50	17.44	15.38	3.81

** To top of discharge or bend pulleys, except foot pulley.



Belt width inches	Idler number	Idler weight, pounds	B	C	D	F	G	R**
			Inches					
24	C20-24	39	27.12	33.00	8.25	11.44	9.06	1.25
30	C20-30	48	32.88	39.00	8.50	12.38	11.06	1.56
36	C20-36	54	38.62	45.00	8.50	13.06	13.06	1.94
42	C20-42	61	45.25	51.00	8.50	13.88	15.38	2.25

** To top of discharge or bend pulleys, except foot pulley.